



ErgoMotion™ Compact Keyboard



User Guide





Congratulations!

Congratulations on your purchase of the Smartfish ErgoMotion™ Compact Keyboard. You've just taken your first step towards healthy, comfortable computing!

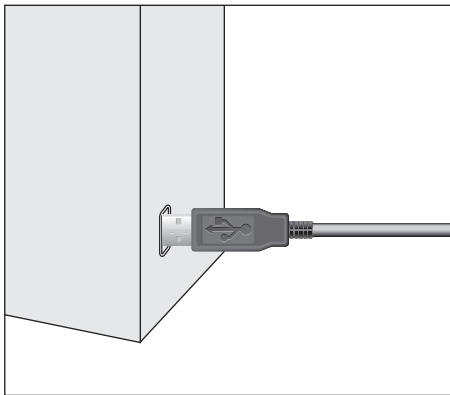
Table of Contents

Setup.....	2
The ErgoMotion™ Button	3
ErgoMotion™: Healthy Computing.....	6
Troubleshooting.....	11
Safety and Regulatory Information.....	12
Warranty	14
Patents.....	15

Setup

1

Simply plug USB into any available USB port on your computer. That's it!





The ErgoMotion™ Button

Getting ErgoMotion™ Started

The ErgoMotion™ keyboard moves automatically according to the amount of words you type. After the keyboard is connected, it will remain in its starting position until you have typed approximately 2,500 keystrokes (which is about 1 – 2 hours for the average typist). If you are a heavy typist you can change the ErgoMotion setting so it moves less frequently (see *Customize Movement Frequency* on the next page.)

Controlling ErgoMotion™ Movement

If you would like to manually move the keyboard from stage to stage at any time, simply press the **ERGOMOTION** key.



The ErgoMotion™ Button

Locking Keyboard Position



+



If you have a favorite position of the keyboard, or would like to temporarily disable the ErgoMotion™ movement, you can lock the keyboard at any time by pressing the **ERGOMOTION** key and **SHIFT** key at the same time.

Customize Movement Frequency



+



You can modify the frequency that the keyboard moves by pressing the **ERGOMOTION** key and **CONTROL** key at the same time. This allows you to toggle between a low value (for a light typist) and a high value (for a heavy typist). A single blink of the ErgoMotion LED means the keyboard is set on LOW (for a light typist) and a double blink of the ErgoMotion LED means the keyboard is set to HIGH (for a heavy typist).

Sensor Lights

The 3 lights on the keyboard indicate the following:



Caps Lock is activated.

Number Lock is activated.

ErgoMotion Light (See below.)

ErgoMotion Light

ON (5 Sec): Keyboard is adjusting its position.

ON (Steady): ErgoMotion is locked. Keyboard will remain in its current position.

OFF: ErgoMotion is active, but keyboard is in between stages.

1 BLINK: You have set the motion to “low” frequency.

2 BLINKS: You have set the motion to “high” frequency.



ErgoMotion™: Healthy Computing

By applying motion to experiences, ErgoMotion™ is redefining ergonomics and changing the future of computing comfort forever!

Motion Heals

ErgoMotion™ is built on the concept that movement is the key to healthier computing. The medical community has long supported movement to be beneficial to the human body. Movement promotes blood flow and decreases inflammation. Inadequate blood circulation and inflammation are both considered key contributors to Repetitive Stress Injuries (RSI).

ErgoMotion™ Benefits

ErgoMotion™ is a revolutionary technology that applies motion to everyday experiences, a solution that actually reduces the risks of Repetitive Stress Injury (RSI). The ErgoMotion Keyboard was developed with an intelligent motion system that tracks your typing activity and periodically changes position so your hands and wrists are never restricted while you type. It is the movement, even when incremental, that eases hand and wrist strain alleviating discomfort, promoting blood flow and preventing injury.

Smartfish's computer peripherals are just the first of many applications of the ErgoMotion™ technology. ErgoMotion is a technology movement redefining what ergonomics should be, and revolutionizing the future of true comfort.

To learn more go to www.getsmartfish.com

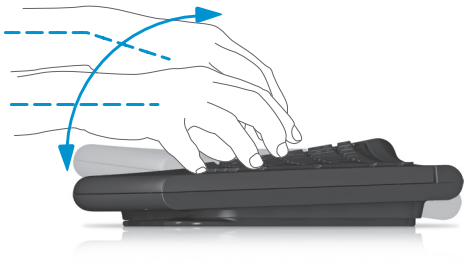
ErgoMotion™: Healthy Computing

How It Works

Each stage is cycled through periodically to automatically reposition your hands subtly and discreetly, creating the most comfortable and healthy typing experience ever!

Alternating Slope

Alternating forward and reverse slopes shift wrists in natural and comfortable positions so they are never in a fixed state while you work.

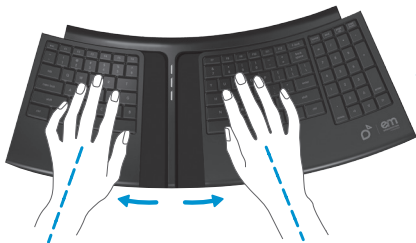


Radial Adjustment

Radial movements reposition wrist flexion to alleviate your wrist's horizontal rotation, allowing the hand and wrist to find the most neutral position for all typing postures during use.



Stage 1 Position



Stage 3 Position

ErgoMotion™: Healthy Computing

Smartfish partnered with New York's Hospital for Special Surgery (HSS) to study the effects motion would have on users while they compute. It was the collaboration with HSS that helped develop ErgoMotion™ proving subtle, even incremental movement would increase blood flow and reduce inflammation eliminating the risks of RSI.

To read more about HSS findings go to
www.getsmartfish.com/hospital.php

To learn more about HSS go to
www.hss.org

Troubleshooting

Make sure the USB is plugged into a USB port on the computer and the computer is turned on. Try an alternate USB port if necessary.

If you continue to need help, please go to the SUPPORT section of our web site where you can find FAQs, Community Forums and a Help page to find more answers.

www.getsmartfish.com

Important Safety Information

Health Warning

Use of a keyboard or mouse may be linked to serious injuries or disorders. When using a computer, as with many activities, you may experience occasional discomfort in your hands, arms, shoulders, neck, or other parts of your body. If you experience symptoms such as persistent or recurring discomfort, pain, throbbing, aching, tingling, numbness, burning sensation, or stiffness, **DO NOT IGNORE THESE WARNING SIGNS. PROMPTLY SEE A QUALIFIED HEALTH CARE PROFESSIONAL**, even if symptoms occur when you are not working at your computer or with a mouse and/or keyboard. Symptoms like these can be associated with painful and sometimes permanently disabling injuries or disorders of the nerves, muscles, tendons, or other parts of the body. Please visit www.hss.org and search Repetitive Stress Injury to learn more.

Regulatory Information



NOTE ON ENVIRONMENTAL PROTECTION: This symbol on the product, the instruction manual or the package indicates that a product is subject to regulations required by European Directive 2002/96/EU when it was implemented into the national legal system. The following applies: Electrical devices, when reaching the end of their service lives, must be returned by the consumer to the public collecting points set up for this purpose or point of sale. Details of this are defined by the national law of the respective country. By recycling, reusing the materials or other forms of utilizing old devices, you are making an important contribution to protecting our environment.



FCC Notice: This device complies with Part 15 of the FCC rules. Operation is subject to the following two conditions: (1) this device may not cause harmful interference, and (2) this device must accept any interference received, including interference that may cause undesired operation. **Caution: Changes or modifications not expressly approved by Smartfish Technologies may void the user's authority to operate this equipment.**

Warranty

1-YEAR LIMITED WARRANTY

Smartfish Technologies warrants to the original purchaser that this product (ErgoMotion™ Compact Keyboard), is free from material and workmanship defects when used under normal conditions for a period of one (1) year from the date of purchase. Should the product contain defects in material or workmanship Smartfish Technologies will repair or replace the product, at our option, free of charge. Purchaser will be responsible for all costs associated with packaging and shipping the product to Smartfish Technologies Consumer Support Department at the address noted below and all other freight or insurance costs associated with the return. Smartfish Technologies will bear the cost of shipping the repaired or replaced product to the purchaser. Product should be returned in its original package accompanied by a proof of purchase, either a sales receipt or other proof that the product is within the warranty period. This warranty is void if the owner repairs or modifies the product or the product has been damaged as a result of misuse. This warranty excludes any liability other than that expressly stated previously, including but not limited to, any incidental or inconsequential damages.

Smartfish Technologies

Attn: Consumer Support Department

39 Park Place, Suite 201

Englewood, New Jersey 07631

www.getsmartfish.com

Patent Information

Patents: United States and/or international patents pending. This product may be covered by one or more of JP 1362807, European Patent No. 000966296-0001, European Patent No. 000966296-0003.



39 Park Place, Suite 201, Englewood, New Jersey 07631

www.getsmartfish.com

©2010 Smartfish Technologies. Smartfish Technologies, ErgoMotion and the ErgoMotion logo are registered trademarks of Ergowerx LLC. All Rights Reserved. Patents Pending.

v 1.0