



Whirl™ Mini Notebook Laser Mouse



User Guide





Congratulations!

Congratulations on your purchase of the Smartfish Whirl™ Mini Notebook Laser Mouse. You've just taken your first step towards healthy, comfortable computing!

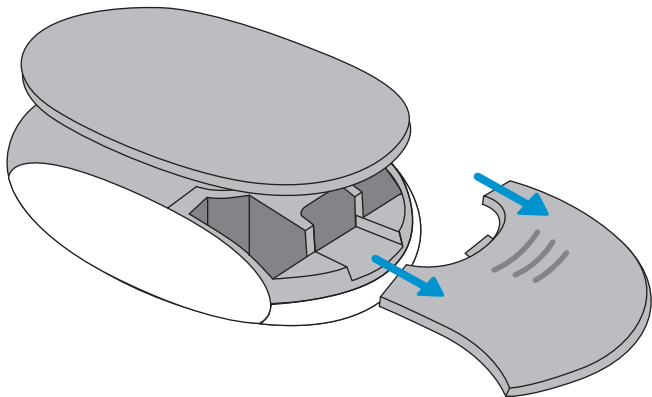
Table of Contents

| | |
|--|----|
| Setup..... | 2 |
| ErgoMotion™: Healthy Computing..... | 8 |
| Troubleshooting..... | 13 |
| Safety and Regulatory Information..... | 16 |
| Warranty and Patent Information..... | 19 |

Setup

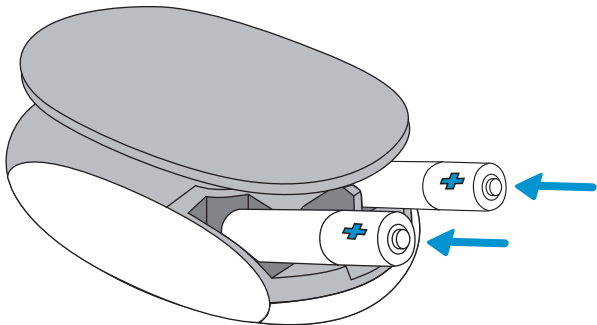
1

Turn mouse upside down and remove battery door



2

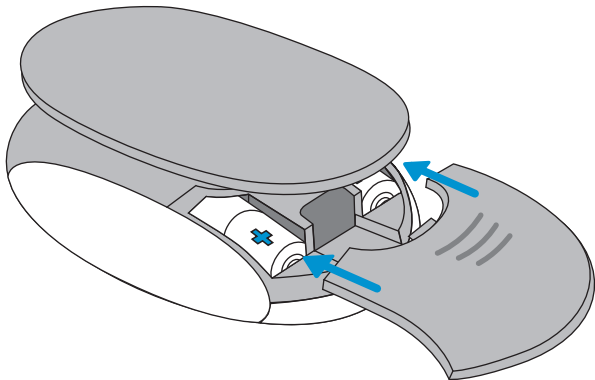
Insert 2 AAA batteries



Setup

3

Replace battery door



4

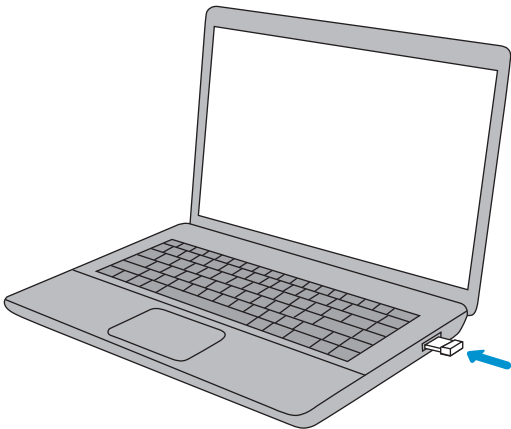
Slide power switch to the “on” position



Setup

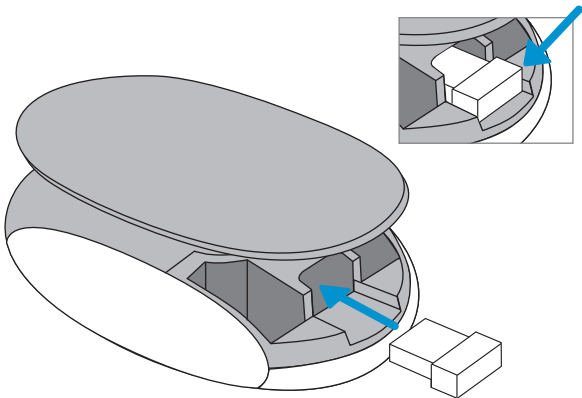
5

Connect the nano transceiver to your computer's USB port, and click away!





Transceiver Storage: A pocket behind the battery door provides convenient storage for your transceiver when you are on the go.





ErgoMotion™: Healthy Computing

By applying motion to experiences, ErgoMotion™ is redefining ergonomics and changing the future of computing comfort forever!

Motion Heals

ErgoMotion™ is built on the concept that movement is the key to healthier computing. The medical community has long supported movement to be beneficial to the human body, which promotes blood flow and decreases inflammation. Inadequate blood circulation and inflammation are both considered key contributors to Repetitive Stress Injuries (RSI).

ErgoMotion™ Benefits

ErgoMotion is a revolutionary technology that actually reduces the risks of Repetitive Stress Injury (RSI). The ErgoMotion Laser Mouse challenges other “fixed position” mice by utilizing a patented pivot base that adapts to your natural hand and wrist movements. The mouse conforms to your unique positions and moves with your hand and wrist while you work. This type of movement increases blood flow in your hand and wrist, which prevents irritation to the tendons and reduces the chance of injury.

Smartfish’s computer peripherals are just the first of many applications of the ErgoMotion™ technology. ErgoMotion is a technology movement redefining what ergonomics should be, and revolutionizing the future of true comfort.

To learn more go to www.getsmartfish.com

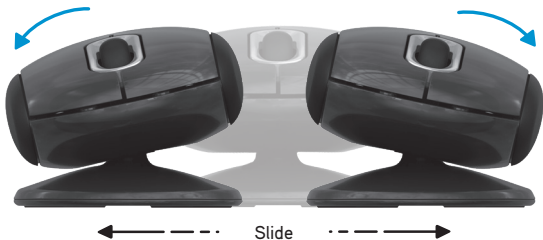
ErgoMotion™: Healthy Computing

How It Works

The mouse will rock, swivel or pivot with your movement so your hand and wrist are never in a fixed position, creating the most comfortable and healthy mousing experience ever!

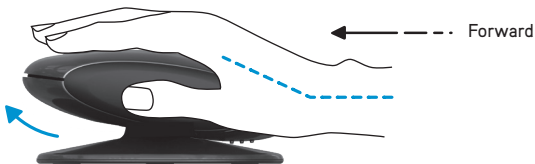
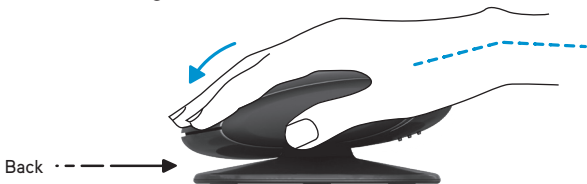
Lateral Pivot

Left and right wrist rotations provide constant freedom to move, allowing the hand and wrist to find the most neutral hand position for all mouse postures during use.



Forward / Reverse Pivot

The pivot base not only provides a natural side-to-side motion, but simultaneously moves forward and back so your wrist is never confined. This allows you to palm guide the mouse around your desktop while your fingers are relaxed to focus on clicking.



ErgoMotion™: Healthy Computing

Smartfish partnered with New York's Hospital for Special Surgery (HSS) to study the affects motion would have on a user while they compute. It was the collaboration with HSS that helped develop ErgoMotion™ proving subtle, even incremental movement would increase blood flow and reduce inflammation eliminating the risks of RSI.

To read more about HSS findings go to
www.getsmartfish.com/hospital.php

To learn more about HSS go to
www.hss.org

Troubleshooting

Further support is provided on our web site. Please go to the SUPPORT section of our web site where you can find FAQ's, Community Forums and a Help page to find more answers.

www.getsmartfish.com

Problem

Solution

4-way Scroll is not working

For PC: Download firmware from www.getsmartfish/v1/downloads.com. Click on "ErgoMotion Laser Mouse Firmware" to download. Install firmware. Once installed successfully, 4-way scroll will be activated.

Cursor moves erratically

Check the nano transceiver connection. Unplug nano transceiver, then plug it back into the USB port.

or

Batteries may be low. Replace the batteries.

Troubleshooting

Problem

Solution

Mouse loses connection

Check the nano transceiver connection. Unplug nano transceiver, then plug it back into the USB port. Try and alternate USB port if necessary.

or

Batteries may be low or installed incorrectly. Check battery placement or replace the batteries if needed.

or

Reset mouse power by sliding power switch to “off” position, then back to “on” position.

If connection still does not return, please continue with directions on the next page. Be sure to follow directions specific to your computer, Mac or PC.

For PCs

- Step 1:** Be sure batteries are installed and nano transceiver is plugged in.
 - Step 2:** Plug nano transceiver into USB port. If you have already plugged it in, unplug and plug it back into the port.
 - Step 3:** While the nano transceiver is plugged in, place the mouse right next to the nano transceiver. Then, at the same time, press and hold the Right Click, Left Click and Scroll Wheel at **the same time** for more than 3 seconds. Once you release the buttons and wheel, the mouse should be connected.
-

For Macs

- Step 1:** Be sure batteries are installed.
- Step 2:** Plug nano transceiver into USB port. If you have already plugged it in, unplug and plug it back into the port.
- Step 3:** Press Right Click, Left Click and Scroll Wheel **at the same time** and hold for 3 seconds. Once you release the buttons and wheel, the mouse should be connected.

Important Safety Information

Health Warning

Use of a keyboard or mouse may be linked to serious injuries or disorders. When using a computer, as with many activities, you may experience occasional discomfort in your hands, arms, shoulders, neck, or other parts of your body. If you experience symptoms such as persistent or recurring discomfort, pain, throbbing, aching, tingling, numbness, burning sensation, or stiffness, **DO NOT IGNORE THESE WARNING SIGNS. PROMPTLY SEE A QUALIFIED HEALTH CARE PROFESSIONAL**, even if symptoms occur when you are not working at your computer or with a mouse and/or keyboard. Symptoms like these can be associated with painful and sometimes permanently disabling injuries or disorders of the nerves, muscles, tendons, or other parts of the body. Please visit **www.hss.org** and search Repetitive Stress Injury to learn more.

Devices with Laser Pointers

Caution Use of controls or adjustments, or performance of procedures other than those specified herein may result in hazardous radiation exposure.

- Do not stare into beam.
- Do not point laser at someone's eyes.
- Do not shine a laser pointer at anyone. Laser pointers are designed to illuminate inanimate objects.
- Do not allow minors to use a pointer unsupervised. Laser pointers are not toys.
- Do not point a laser pointer at a mirror-like (reflective) surface. A reflected beam can act like a direct beam on the eye.
- Do not disassemble the device.
- Do not use the device outside of its specified operating temperature range +41°F (+5°C) to +95°F (+35°C). If the device is exposed to an environment outside of its prescribed operation, turn off the device and allow the temperature to stabilize within the specified operating range before using the device.

Laser Devices

This device complies with International Standard IEC 60825-1:2001-08 for a Class 1 and Class 2 laser product. This device also complies with 21 CFR 1040.10 and 1040.11 except for deviations pursuant to Laser Notice No. 50, dated July 26, 2001.

Regulatory Information



NOTE ON ENVIRONMENTAL PROTECTION: This symbol on the product, the instruction manual or the package indicates that a product is subject to regulations required by European Directive 2002/96/EU when it was implemented into the national legal system. The following applies: Electrical devices, when reaching the end of their service lives, must be returned by the consumer to the public collecting points set up for this purpose or point of sale. Details of this are defined by the national law of the respective country. By recycling, reusing the materials or other forms of utilizing old devices, you are making an important contribution to protecting our environment.



FCC Notice: This device complies with Part 15 of the FCC rules. Operation is subject to the following two conditions: (1) this device may not cause harmful interference, and (2) this device must accept any interference received, including interference that may cause undesired operation. **Caution: Changes or modifications not expressly approved by Smartfish Technologies may void the user's authority to operate this equipment.**

Warranty

1-YEAR LIMITED WARRANTY

Smartfish Technologies warrants to the original purchaser that this product (Whirl™ Mini Notebook Laser Mouse), is free from material and workmanship defects when used under normal conditions for a period of one (1) year from the date of purchase. Should the product contain defects in material or workmanship Smartfish Technologies will repair or replace the product, at our option, free of charge. Purchaser will be responsible for all costs associated with packaging and shipping the product to Smartfish Technologies Consumer Support Department at the address noted below and all other freight or insurance costs associated with the return. Smartfish Technologies will bear the cost of shipping the repaired or replaced product to the purchaser. Product should be returned in its original package accompanied by a proof of purchase, either a sales receipt or other proof that the product is within the warranty period. This warranty is void if the owner repairs or modifies the product or the product has been damaged as a result of misuse. This warranty excludes any liability other than that expressly stated previously, including but not limited to, any incidental or inconsequential damages.

Smartfish Technologies

Attn: Consumer Support Department

39 Park Place, Suite 201

Englewood, New Jersey 07631

www.getsmartfish.com

Patent Information

Patents: United States and/or international patents pending. This product may be covered by one or more of JP 1362807, European Patent No. 000966296-0001, European Patent No. 000966296-0003.



39 Park Place, Suite 201, Englewood, New Jersey 07631

www.getsmartfish.com

©2010 Smartfish Technologies. Smartfish Technologies, Whirl, ErgoMotion and the ErgoMotion logo are registered trademarks of Ergowerx LLC. All Rights Reserved. Patents Pending.

v 1.1